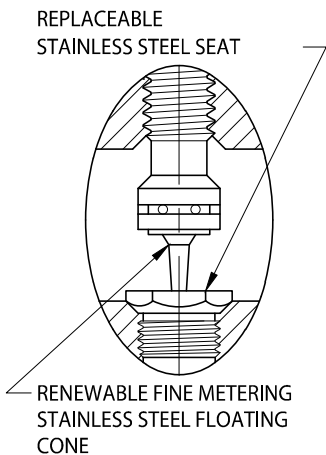
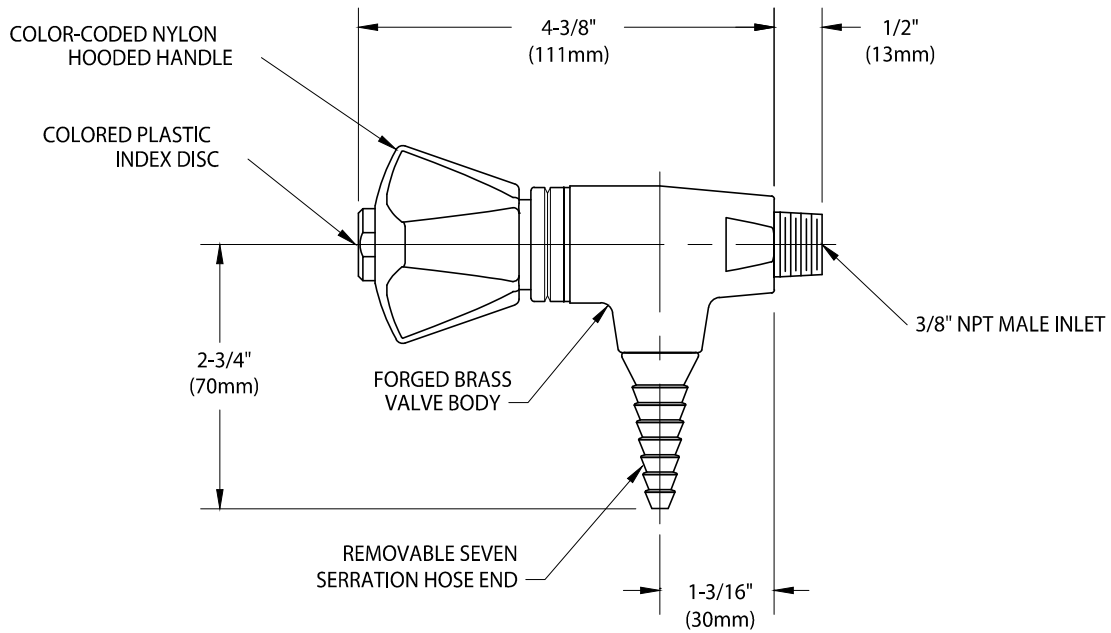


## CT3170

LABORATORY FINE CONTROL NEEDLE VALVE, ANGLE PATTERN AT 90°



MEASUREMENTS MAY VARY ±1/4" (6mm).

### NOTES:

1. FIXTURE IS CLEANED, DEGREASED AND PACKED FOR PURE GAS SERVICE.
2. VALVE IS FACTORY ASSEMBLED AND TESTED AT 375 PSI NITROGEN. MAXIMUM WORKING PRESSURE IS 250 PSI.
3. VALVE HAS COLORTECH EPOXY POWDER COATED FINISH. SPECIFY COLOR (WHITE, GRAY OR TAN) WHEN ORDERING.