

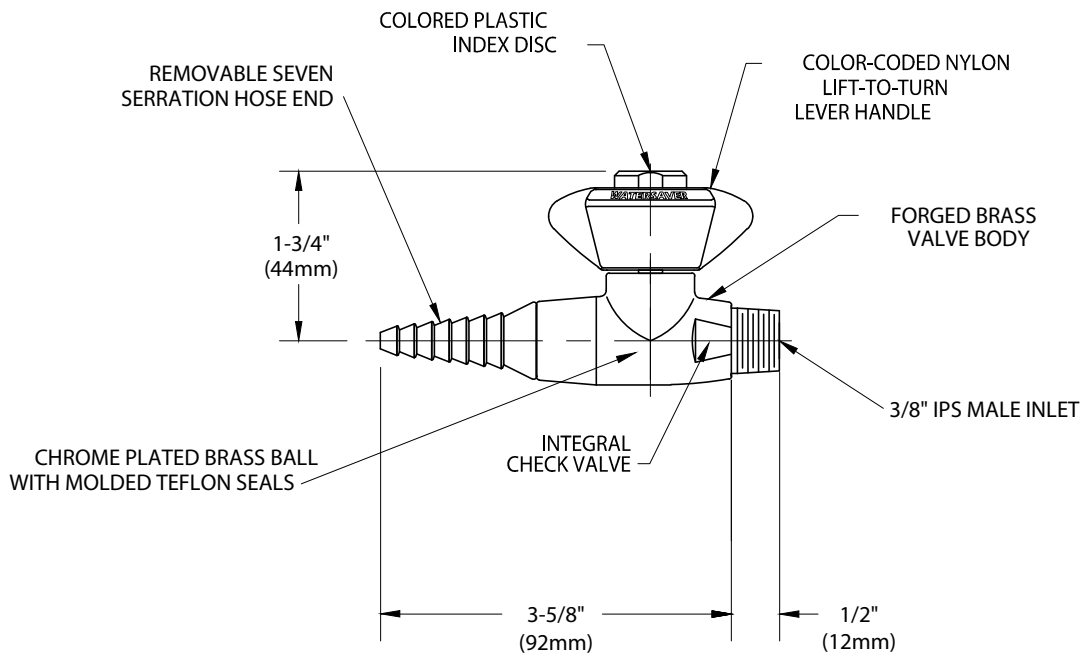


# WaterSaver

# ColorTech

## CT4260CV

LABORATORY BALL VALVE WITH LIFT/TURN LEVER HANDLE, CHECK VALVE, REMOVABLE SERRATED HOSE END



### NOTES:



- LABORATORY BALL VALVE ASSEMBLY IS CERTIFIED BY CSA INTERNATIONAL TO COMPLY WITH ANSI Z21.15 AND CGA 9.1.
- HANDLE LOCKS IN CLOSED POSITION. LIFT HANDLE TO UNLOCK AND OPEN VALVE.
- FIXTURE IS FULLY ASSEMBLED AND FACTORY TESTED AT 125 PSI AIR PRESSURE. MAXIMUM WORKING PRESSURE IS 75 PSI.
- SPECIFY IF CLEANING FOR OXYGEN AND HIGH PURITY GASES IS REQUIRED
- VALVE HAS COLORTECH EPOXY POWDER COATED FINISH. SPECIFY COLOR (WHITE, GRAY OR TAN) WHEN ORDERING.

MEASUREMENTS MAY VARY  $\pm 1/4"$  (6mm).

WaterSaver Faucet Co. 312 666 5500 t  
 701 West Erie Street 312 666 5501 f  
 Chicago, IL 60654 wsflab.com

Drawing Number:

Revised: 012313-TEC