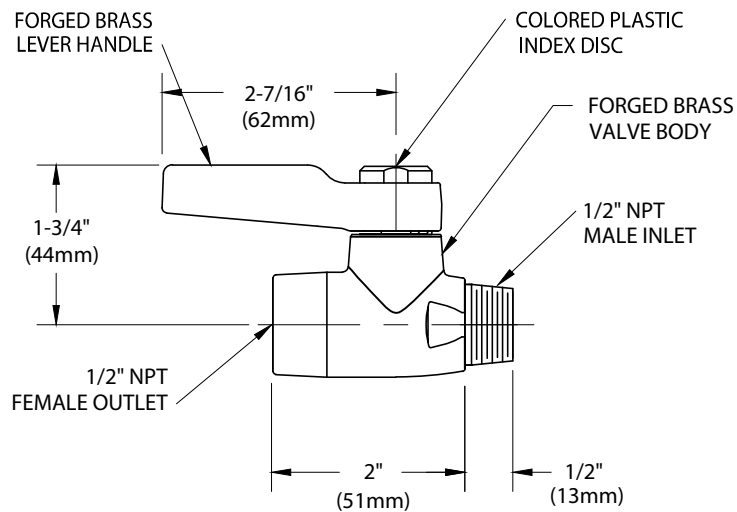




CT4301

HIGH FLOW LABORATORY WATER VALVE, STRAIGHT PATTERN



NOTES:

1. VALVE IS FULL PORT BALL VALVE WITH CHROME PLATED BRASS BALL AND MOLDED PTFE SEALS.
2. VALVE IS FULLY ASSEMBLED AND FACTORY TESTED PRIOR TO SHIPMENT.
3. VALVE HAS COLORTECH EPOXY POWDER COATED FINISH. SPECIFY COLOR (WHITE, GRAY OR TAN) WHEN ORDERING.

MEASUREMENTS MAY VARY $\pm 1/4"$ (6mm).