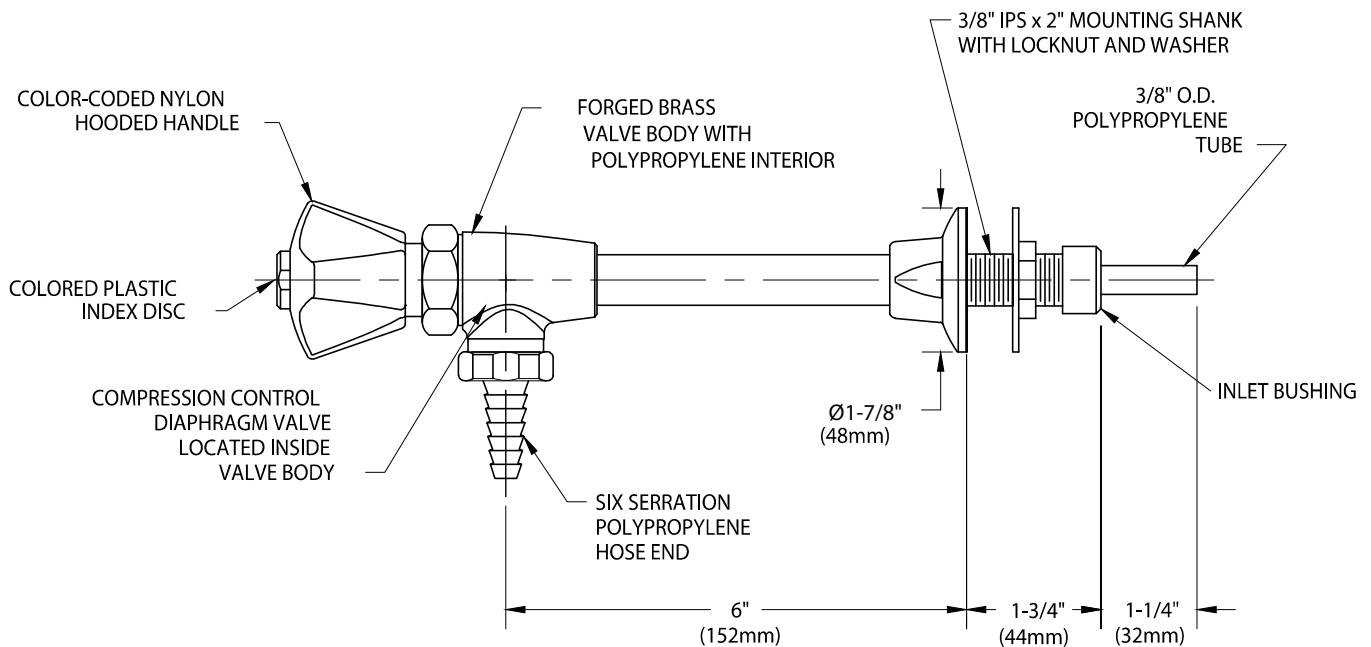




### CT7834

PURE WATER FAUCET, POLYPROPYLENE-LINED, PANEL MOUNTED, MANUAL CONTROL



#### NOTES:

1. MAXIMUM WORKING PRESSURE IS 75 PSI.
2. ALL COMPONENTS IN CONTACT WITH PURE WATER ARE INERT POLYPROPYLENE.
3. FIXTURE HAS COLORTECH EPOXY POWDER COATED FINISH. SPECIFY COLOR (WHITE, GRAY OR TAN) WHEN ORDERING.

MEASUREMENTS MAY VARY  $\pm 1/4"$  (6mm).

WaterSaver Faucet Co. 312 666 5500 t  
701 West Erie Street 312 666 5501 f  
Chicago, IL 60654 wsflab.com

Drawing Number:

Revised: 011113-TEC