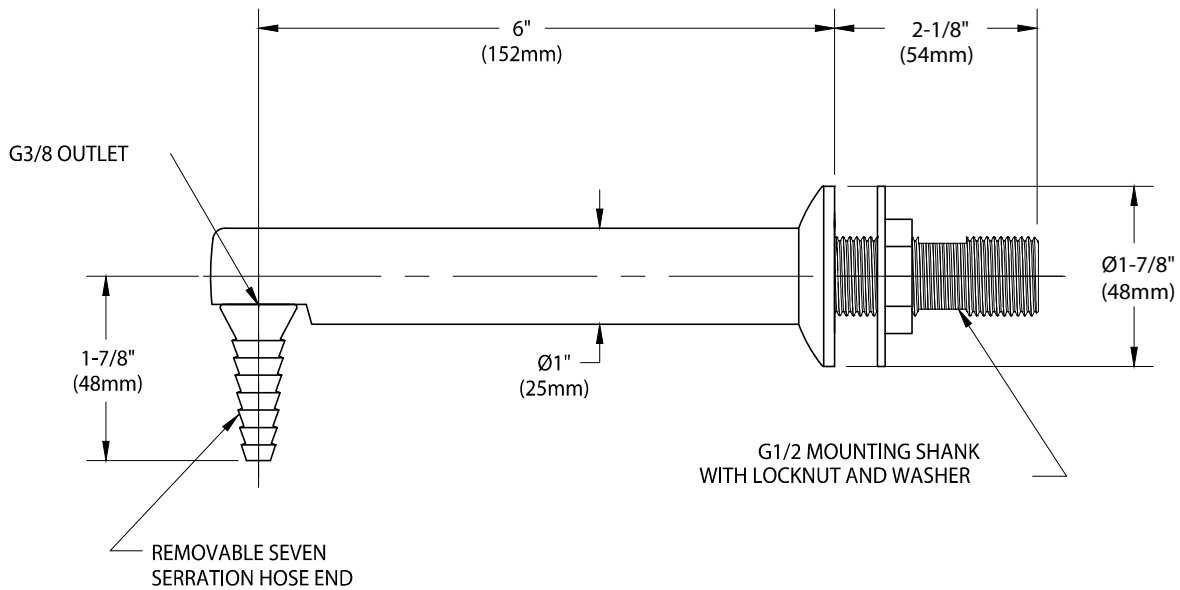




BT052WSA

90° ANGLE OUTLET FITTING, PANEL MOUNTED, 6" (152mm) SPREAD



NOTE:

1. FITTING IS FURNISHED WITH A COLORTECH POWDER-COATED FINISH COLOR-CODED PER SERVICE INDEX COLOR AS STANDARD. OTHER FINISHES ARE AVAILABLE UPON REQUEST.

MEASUREMENTS MAY VARY $\pm 1/4"$ (6mm).

WaterSaver Faucet Co. 312 666 5500 t
701 West Erie Street 312 666 5501 f
Chicago, IL 60654 wsflab.com

Drawing Number:

Revised: 082913-TEC