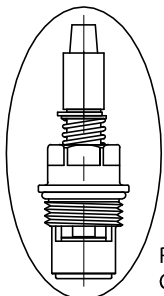
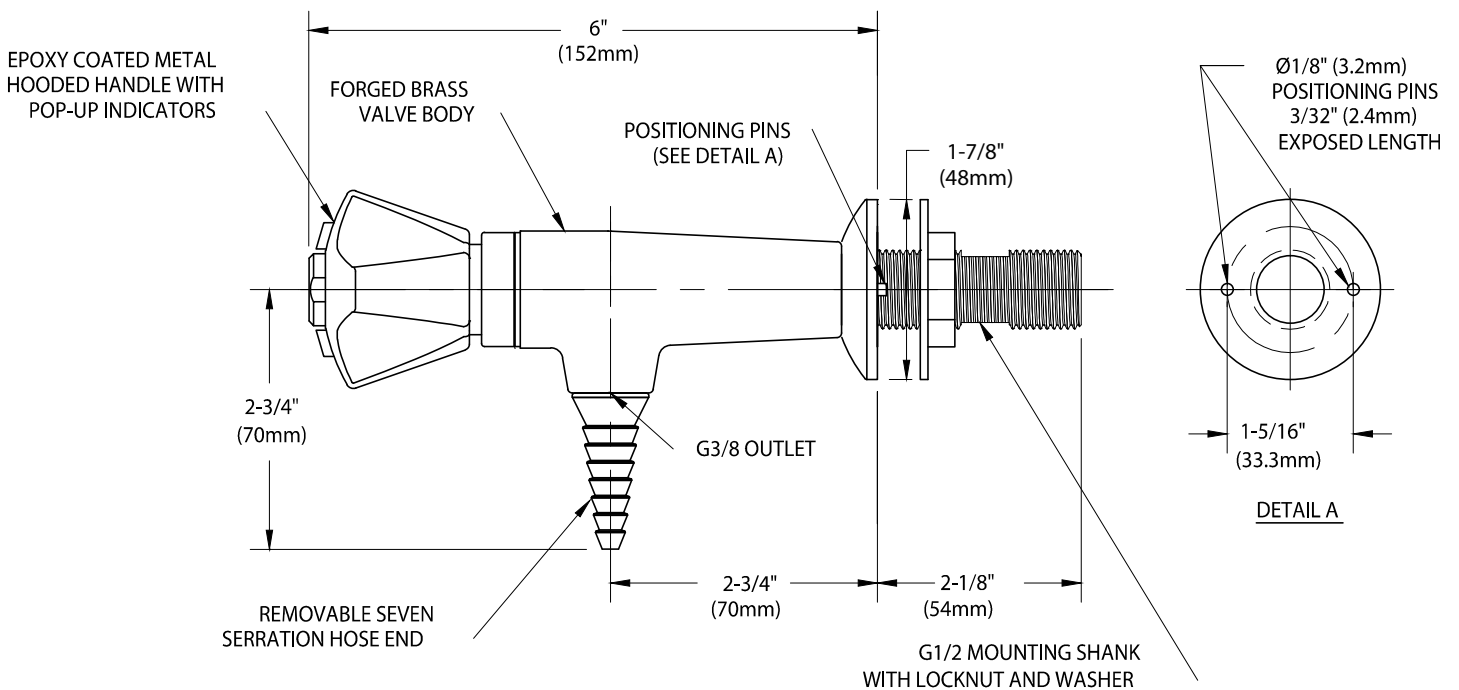




### BT5160FI-226WSA

LABORATORY PUSH/TURN GAS VALVE FITTING, ANGLE PATTERN, POP-UP INDICATORS, PANEL MOUNTED



REPLACEABLE PUSH/TURN CERAMIC DISC CARTRIDGE

MEASUREMENTS MAY VARY  $\pm 1/4"$  (6mm).

#### NOTES:

1. FURNISHED WITH THREADED ESCUTCHEON, MOUNTING SHANK, LOCKNUT AND WASHER FOR SECURING TO PANEL.
2. FITTING IS FACTORY ASSEMBLED AND TESTED AT 150 PSI (10 BAR). MAXIMUM WORKING PRESSURE IS 100 PSI (7 BAR).
3. SPECIFY IF CLEANING FOR OXYGEN AND HIGH PURITY GASES IS REQUIRED.
4. FITTING HAS COLORTECH EPOXY POWDER COATED FINISH. SPECIFY COLOR (WHITE, GRAY OR TAN) WHEN ORDERING.