

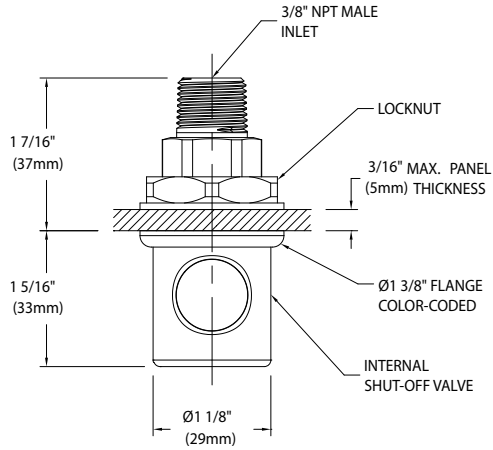
QPFL Series Quick Connect Bodies - Panel Mounted

WaterSaver push button keyed quick connect fittings are designed specifically for laboratory applications. They are designed to provide maximum performance and durability for the life of the lab installation.

Features of WaterSaver push button keyed quick connect bodies include the following:

- Quick connect bodies are available in either polished chrome plated brass or Type 316 stainless steel.
- Bodies have an internal shut-off valve that closes when the plug is disengaged. Internal valve components are stainless steel to assure compatibility with the service and to assure durable performance.
- Quick connects are certified by CSA International for use with natural gas.
- The quick connect keying system is based upon a double key way and lug system. Therefore, quick connect plugs can be assembled only into the correct body. There is no possibility of inadvertently mixing services.
- Quick connect bodies and plugs are color coded to designate the service and to facilitate matching the correct body and plug.
- Quick connect bodies are furnished with an internal locking feature. The plug can be installed only in one fixed orientation.
- Flanged quick connect bodies are designed for installation on walls, panel systems, chases and overhead service carriers. The body is secured in place with a locknut.

QPFL - - 3M - K

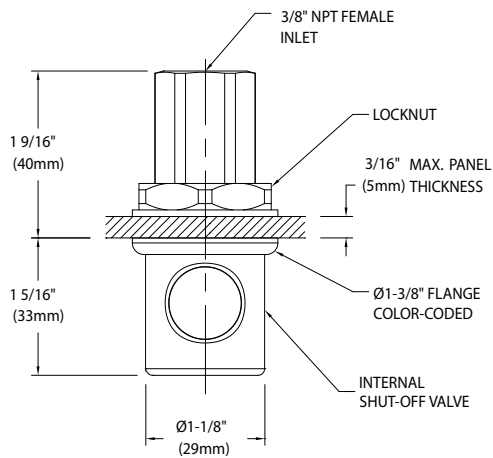


3/8" NPT Male Inlet

Key Color	Part Number	Key Color	Part Number
BLACK	QPFL-B-3M-K1	GRAY	QPFL-B-3M-K9
ORANGE	QPFL-B-3M-K2	DARK GRAY	QPFL-B-3M-K10
GREEN	QPFL-B-3M-K3	LIGHT BLUE	QPFL-B-3M-K11
YELLOW	QPFL-B-3M-K4	LIGHT GREEN	QPFL-B-3M-K12
BLUE	QPFL-B-3M-K5	TAN	QPFL-B-3M-K13
WHITE	QPFL-B-3M-K6	PINK	QPFL-B-3M-K14
PURPLE	QPFL-B-3M-K7	RED	QPFL-B-3M-K15
BROWN	QPFL-B-3M-K8		

Note: For stainless steel, use designation "SS" in place of "B".
Example: QPFL-SS-3M-KX

QPFL - - 3F - K

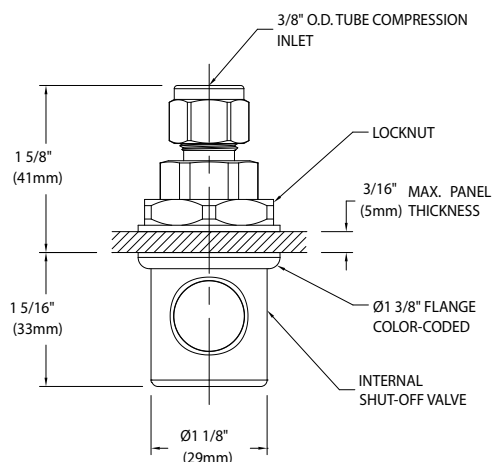


3/8" NPT Female Inlet

Key Color	Part Number	Key Color	Part Number
BLACK	QPFL-B-3F-K1	GRAY	QPFL-B-3F-K9
ORANGE	QPFL-B-3F-K2	DARK GRAY	QPFL-B-3F-K10
GREEN	QPFL-B-3F-K3	LIGHT BLUE	QPFL-B-3F-K11
YELLOW	QPFL-B-3F-K4	LIGHT GREEN	QPFL-B-3F-K12
BLUE	QPFL-B-3F-K5	TAN	QPFL-B-3F-K13
WHITE	QPFL-B-3F-K6	PINK	QPFL-B-3F-K14
PURPLE	QPFL-B-3F-K7	RED	QPFL-B-3F-K15
BROWN	QPFL-B-3F-K8		

Note: For stainless steel, use designation "SS" in place of "B".
Example: QPFL-SS-3F-KX

QPFL - - 3C - K



3/8" O.D. Tube Compression Inlet

Key Color	Part Number	Key Color	Part Number
BLACK	QPFL-B-3C-K1	GRAY	QPFL-B-3C-K9
ORANGE	QPFL-B-3C-K2	DARK GRAY	QPFL-B-3C-K10
GREEN	QPFL-B-3C-K3	LIGHT BLUE	QPFL-B-3C-K11
YELLOW	QPFL-B-3C-K4	LIGHT GREEN	QPFL-B-3C-K12
BLUE	QPFL-B-3C-K5	TAN	QPFL-B-3C-K13
WHITE	QPFL-B-3C-K6	PINK	QPFL-B-3C-K14
PURPLE	QPFL-B-3C-K7	RED	QPFL-B-3C-K15
BROWN	QPFL-B-3C-K8		

Note: For stainless steel, use designation "SS" in place of "B".
Example: QPFL-SS-3C-KX