

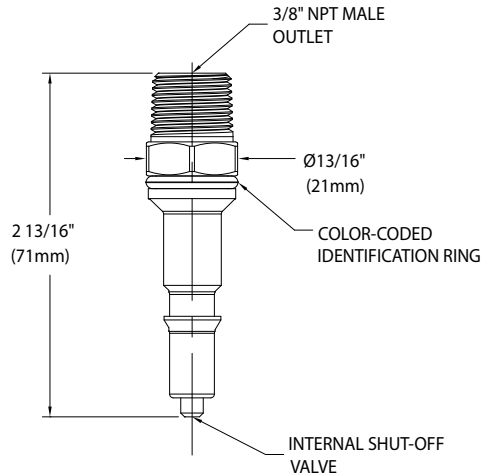
### QPDL Series Quick Connect Plugs - Locking

WaterSaver keyed quick connect fittings are designed specifically for laboratory applications. They are designed to provide maximum performance and durability for the life of the lab installation.

Features of WaterSaver keyed quick connect plugs include the following:

- Quick connect plugs are available in either polished chrome plated brass or Type 316 stainless steel.
- Plugs have an internal shut-off valve that closes when the valve is disengaged. Internal valve components are stainless steel to assure compatibility with the service and to assure durable performance.
- Quick connects are certified by CSA International for use with natural gas.
- The quick connect keying system is based upon a double key way and lug system. Therefore, quick connect plugs can be assembled only into the correct body. There is no possibility of inadvertently mixing services.
- Quick connect bodies and plugs are color coded to designate the service and to facilitate matching the correct body and plug.
- Quick connect plugs have an internal locking feature. The plug can only be installed in the body in one fixed orientation.
- Quick connect plugs are available with a choice of outlet connections for maximum flexibility.

### QPDL - - 3M - K

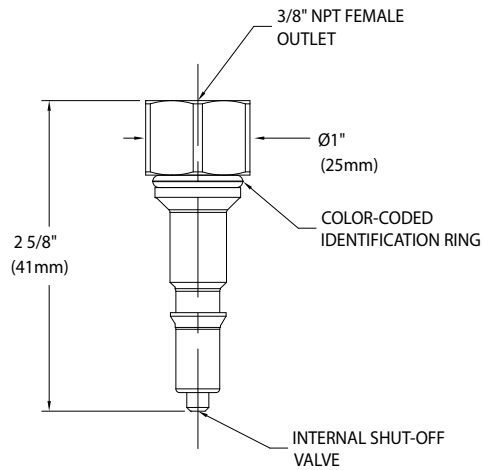


#### 3/8" NPT Male Inlet

Key Color	Part Number	Key Color	Part Number
BLACK	QPDL-B-3M-K1	GRAY	QPDL-B-3M-K9
ORANGE	QPDL-B-3M-K2	DARK GRAY	QPDL-B-3M-K10
GREEN	QPDL-B-3M-K3	LIGHT BLUE	QPDL-B-3M-K11
YELLOW	QPDL-B-3M-K4	LIGHT GREEN	QPDL-B-3M-K12
BLUE	QPDL-B-3M-K5	TAN	QPDL-B-3M-K13
WHITE	QPDL-B-3M-K6	PINK	QPDL-B-3M-K14
PURPLE	QPDL-B-3M-K7	RED	QPDL-B-3M-K15
BROWN	QPDL-B-3M-K8		

Note: For stainless steel, use designation "SS" in place of "B".  
Example: QPDL-SS-3M-KX

### QPDL - - 3F - K

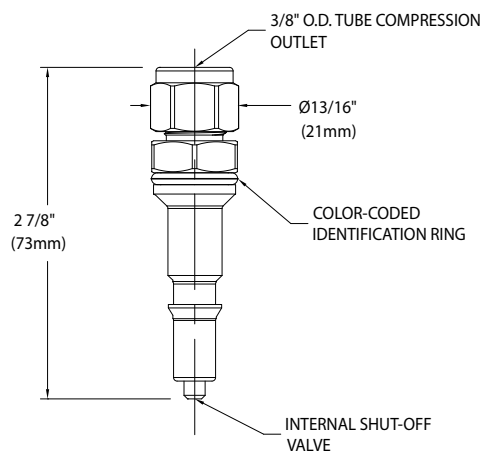


#### 3/8" NPT Female Inlet

Key Color	Part Number	Key Color	Part Number
BLACK	QPDL-B-3F-K1	GRAY	QPDL-B-3F-K9
ORANGE	QPDL-B-3F-K2	DARK GRAY	QPDL-B-3F-K10
GREEN	QPDL-B-3F-K3	LIGHT BLUE	QPDL-B-3F-K11
YELLOW	QPDL-B-3F-K4	LIGHT GREEN	QPDL-B-3F-K12
BLUE	QPDL-B-3F-K5	TAN	QPDL-B-3F-K13
WHITE	QPDL-B-3F-K6	PINK	QPDL-B-3F-K14
PURPLE	QPDL-B-3F-K7	RED	QPDL-B-3F-K15
BROWN	QPDL-B-3F-K8		

Note: For stainless steel, use designation "SS" in place of "B".  
Example: QPDL-SS-3F-KX

### QPDL - - 3C - K



#### 3/8" O.D. Tube Compression Inlet

Key Color	Part Number	Key Color	Part Number
BLACK	QPDL-B-3C-K1	GRAY	QPDL-B-3C-K9
ORANGE	QPDL-B-3C-K2	DARK GRAY	QPDL-B-3C-K10
GREEN	QPDL-B-3C-K3	LIGHT BLUE	QPDL-B-3C-K11
YELLOW	QPDL-B-3C-K4	LIGHT GREEN	QPDL-B-3C-K12
BLUE	QPDL-B-3C-K5	TAN	QPDL-B-3C-K13
WHITE	QPDL-B-3C-K6	PINK	QPDL-B-3C-K14
PURPLE	QPDL-B-3C-K7	RED	QPDL-B-3C-K15
BROWN	QPDL-B-3C-K8		

Note: For stainless steel, use designation "SS" in place of "B".  
Example: QPDL-SS-3C-KX