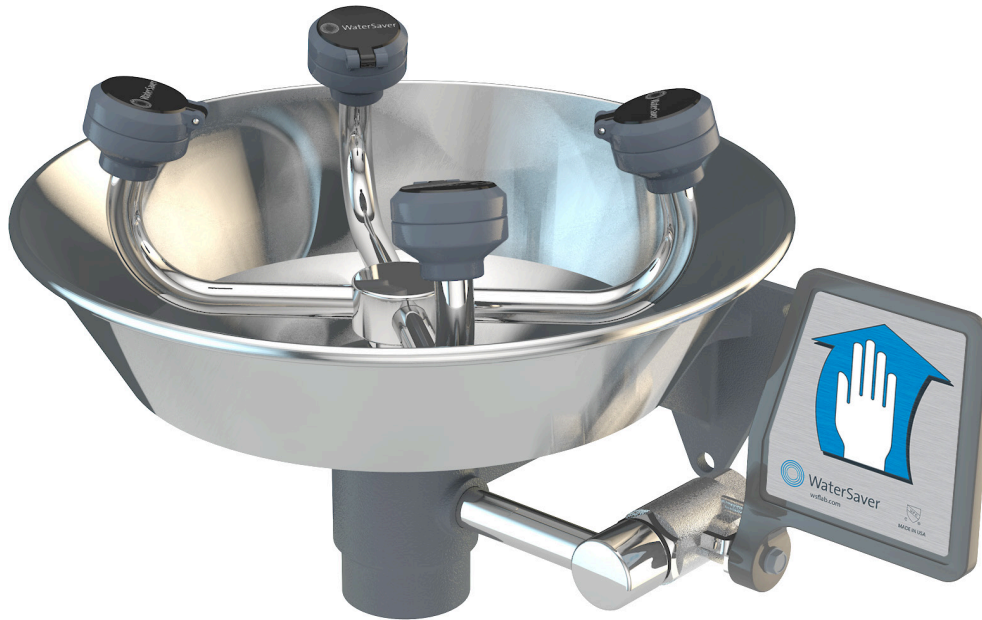


- FE724** WideArea™ Eye/Face Wash, Wall Mounted, Stainless Steel Bowl
- FE724P** WideArea™ Eye/Face Wash, Wall Mounted, Plastic Bowl



Application: WideArea™ eye/face wash for wall mounting. Four GS-Plus™ spray-type outlet heads deliver a flood of water over a wide area of coverage for complete rinsing of eyes and face.

Spray Head Assembly: Four GS-Plus™ spray heads. Each head has a “flip top” dust cover, internal flow control and filter to remove impurities from the water flow.

Valve: 1/2" IPS chrome plated brass stay-open ball valve. Valve is US-made with chrome plated brass ball and PTFE seals.

Bowl: 11-1/8" diameter stainless steel (FE724) or 11-3/4" diameter orange ABS plastic (FE724P).

Mounting: Heavy duty cast aluminum wall bracket with corrosion resistant powder coated finish.

Supply: 1/2" NPT female inlet.

Waste: 1-1/4" NPT female outlet.

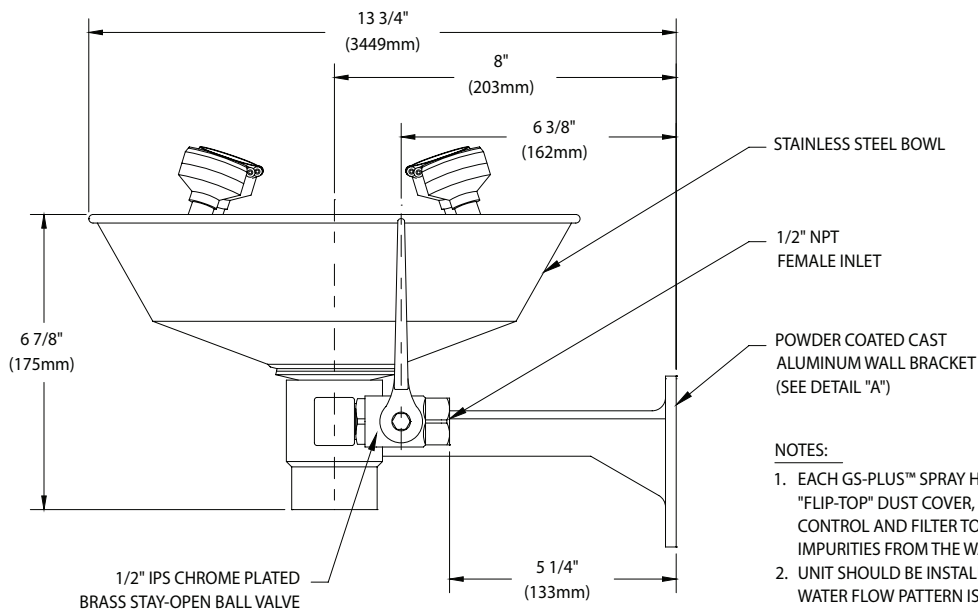
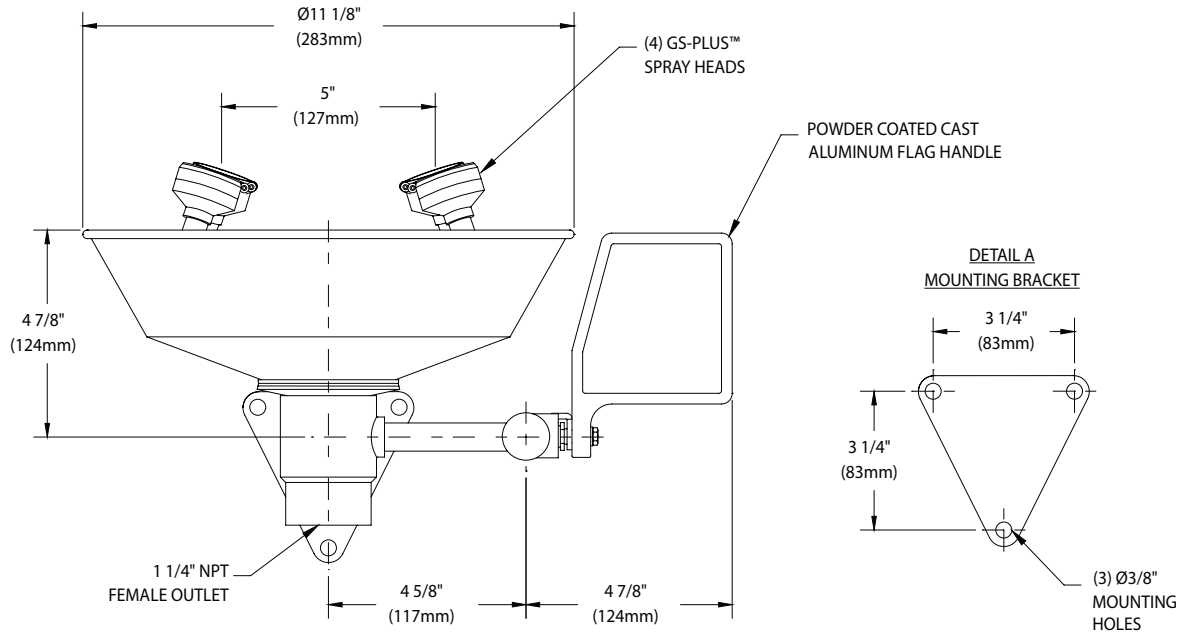
Sign: ANSI-compliant identification sign.

Quality Assurance: Unit is completely assembled and water tested prior to shipment.

Available Options

- TM6020** Thermostatic mixing valve precisely blends hot and cold water to deliver tepid water as required by ANSI Z358.1-2014. Refer to “Thermostatic Mixing Valves” section for complete technical and product selection information.
- HS** Auxiliary hand-held drench hose for rinsing eyes, face or body.
- GRN** Green ABS plastic bowl.
- YEL** Yellow ABS plastic bowl.
- T** Chrome plated brass tailpiece and trap with 1-1/2" IPS waste connection.
- TP** 1-1/2" OD Chrome plated brass tailpiece.

- FE724** WideArea™ Eye/Face Wash, Wall Mounted, Stainless Steel Bowl
- FE724P** WideArea™ Eye/Face Wash, Wall Mounted, Plastic Bowl



NOTES:

1. EACH GS-PLUS™ SPRAY HEAD HAS A "FLIP-TOP" DUST COVER, INTERNAL FLOW CONTROL AND FILTER TO REMOVE IMPURITIES FROM THE WATER FLOW.
2. UNIT SHOULD BE INSTALLED SUCH THAT WATER FLOW PATTERN IS POSITIONED BETWEEN 33" AND 53" ABOVE FLOOR.

THIS SPACE FOR ARCHITECT/ENGINEER APPROVAL

Due to continuing product improvement, the information contained in this document is subject to change without notice. All dimensions are $\pm 1/4"$ (6mm). rev. 0422

Sign Included

