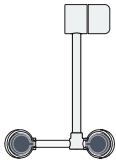
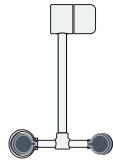


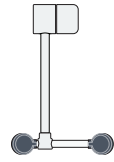
EW899 Eyewash, Deck Mounted AutoFlow™ 90° Swing-Down, All-Stainless Steel



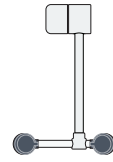
EW899LH-L



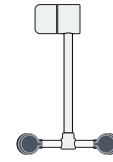
EW899LH



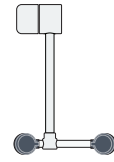
EW899LH-R



EW899L



EW899



EW899R



Model
EW899LH-L
Shown

Application: All-stainless steel AutoFlow™ eyewash for mounting on counter. Unit is constructed entirely in stainless steel. Ideal for use in highly corrosive environments, cleanrooms and pharmaceutical applications. Spray heads swing down from storage to operational position, activating water flow. Available in a variety of spray head configurations to minimize obstructions at a sink. *Note: If unit is not installed at a sink, floor drain should be provided underneath unit to prevent accumulation of water on floor.*

Spray Head Assembly: Two GS-Plus™ spray heads. Each head has a “flip top” dust cover, internal flow control and filter to remove impurities from the water flow.

Valve: 1/2" IPS stainless steel plug-type valve with PTFE coated O-ring seals. Swinging head assembly down from storage to operational position opens orifice and activates water flow. Unit remains in operation until spray head assembly is returned to storage position.

Strainer: Unit is furnished with in-line strainer to protect valve and spray heads from debris in water line.

Mounting: Unit mounts on countertop behind sink. Furnished with hardware for securing unit to counter.

Construction: Type 316 stainless steel.

Supply: 1/2" NPT female inlet.

Sign: ANSI-compliant identification sign.

Quality Assurance: Unit is completely assembled and water tested prior to shipment.

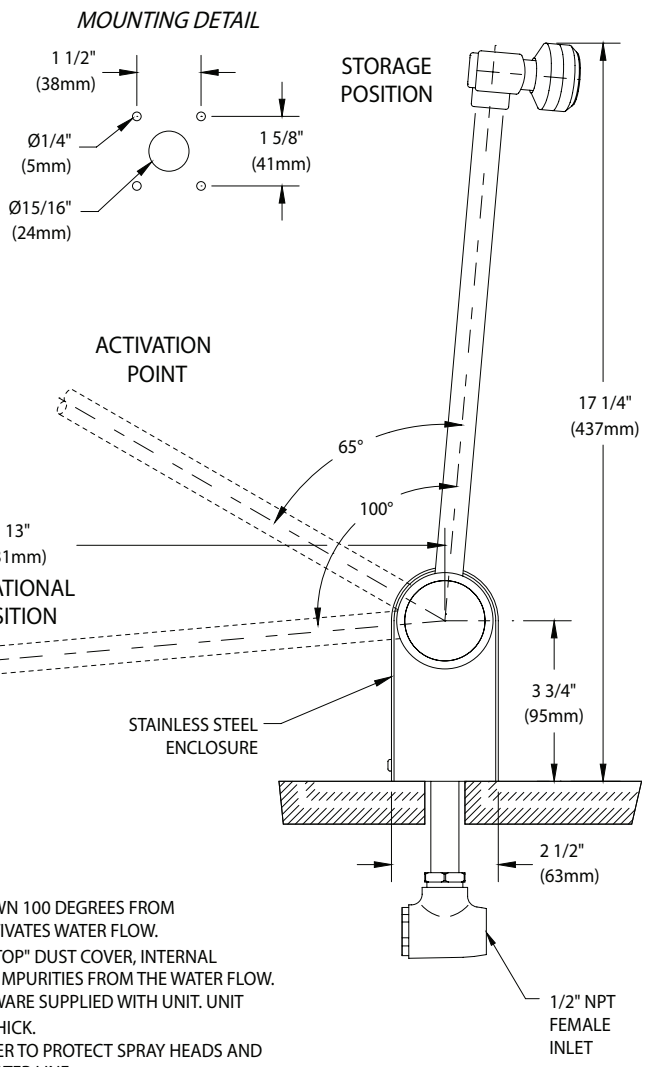
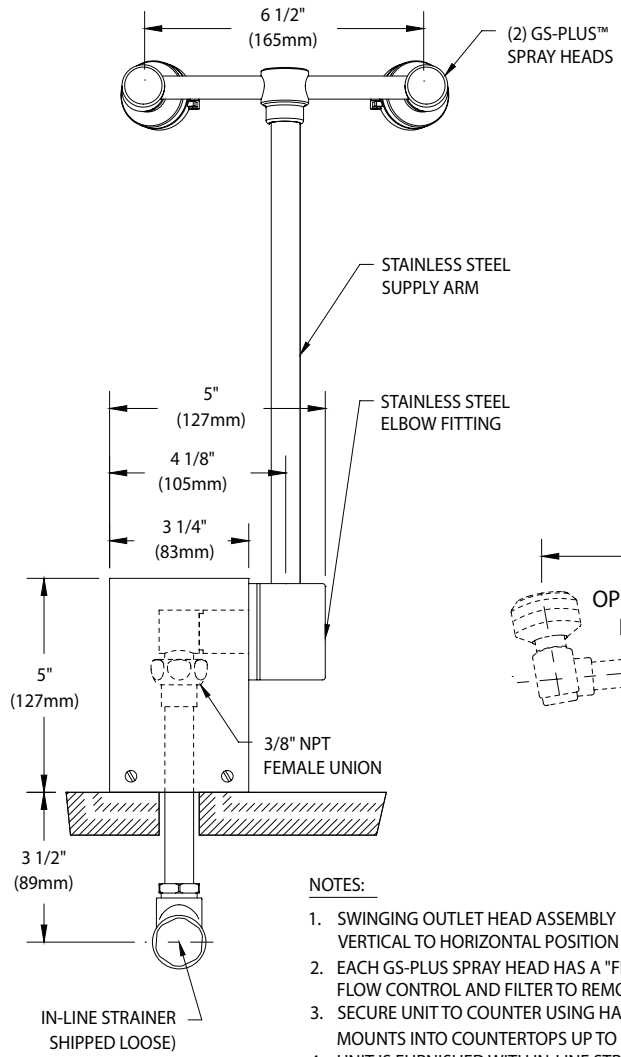
Available Options

- TM6020** Thermostatic mixing valve precisely blends hot and cold water to deliver tepid water as required by ANSI Z358.1-2014. Refer to “Thermostatic Mixing Valves” section for complete technical and product selection information.

EW899 Eyewash, Deck Mounted AutoFlow™ 90° Swing-Down, All-Stainless Steel



EW899LH-L **EW899LH** **EW899LH-R** **EW899L** **EW899** **EW899R**



- NOTES:**
1. SWINGING OUTLET HEAD ASSEMBLY DOWN 100 DEGREES FROM VERTICAL TO HORIZONTAL POSITION ACTIVATES WATER FLOW.
 2. EACH GS-PLUS SPRAY HEAD HAS A "FLIP-TOP" DUST COVER, INTERNAL FLOW CONTROL AND FILTER TO REMOVE IMPURITIES FROM THE WATER FLOW.
 3. SECURE UNIT TO COUNTER USING HARDWARE SUPPLIED WITH UNIT. UNIT MOUNTS INTO COUNTERTOPS UP TO 2" THICK.
 4. UNIT IS FURNISHED WITH IN-LINE STRAINER TO PROTECT SPRAY HEADS AND VALVE COMPONENTS FROM DEBRIS IN WATER LINE.
 5. VALVE BEGINS TO OPEN AT "ACTIVATION POINT" SHOWN ABOVE.

THIS SPACE FOR ARCHITECT/ENGINEER APPROVAL

Due to continuing product improvement, the information contained in this document is subject to change without notice. All dimensions are ± 1/4" (6mm). rev. 0522

Sign Included

