

SS950P Safety Station with Eye/Face Wash, Plastic Bowl

Application: Combination eye/face wash and shower safety station. Two large FS-Plus™ spray-type outlet heads deliver a flood of water for rinsing eyes and face.

Shower Head: 10" diameter orange ABS plastic.

Shower Valve: 1" IPS chrome plated brass stay-open ball valve. Valve is US-made with chrome plated brass ball and Teflon® seals. Furnished with stainless steel actuating arm and 29" stainless steel pull rod.

Spray Head Assembly: Two FS-Plus™ spray heads. Each head has a "flip top" dust cover, internal flow control and filter to remove impurities from water.

Eye/Face Wash Bowl: 11-1/2" ABS plastic.

Eye/Face Wash Valve: 1/2" IPS chrome plated brass stay-open ball valve. Valve is US-made with chrome plated brass ball and Teflon® seals.

Pipe and Fittings: Schedule 40 galvanized steel. Furnished with orange polyethylene covers for vertical piping for high visibility and corrosion resistance.

Supply: 1-1/4" NPT female top or side inlet.

Waste: 1-1/4" NPT female outlet. Outlet can be positioned at either 9-1/4" or 19-5/8" above finished floor by reversing lower pipe nipples.

Sign: Furnished with ANSI-compliant identification sign.

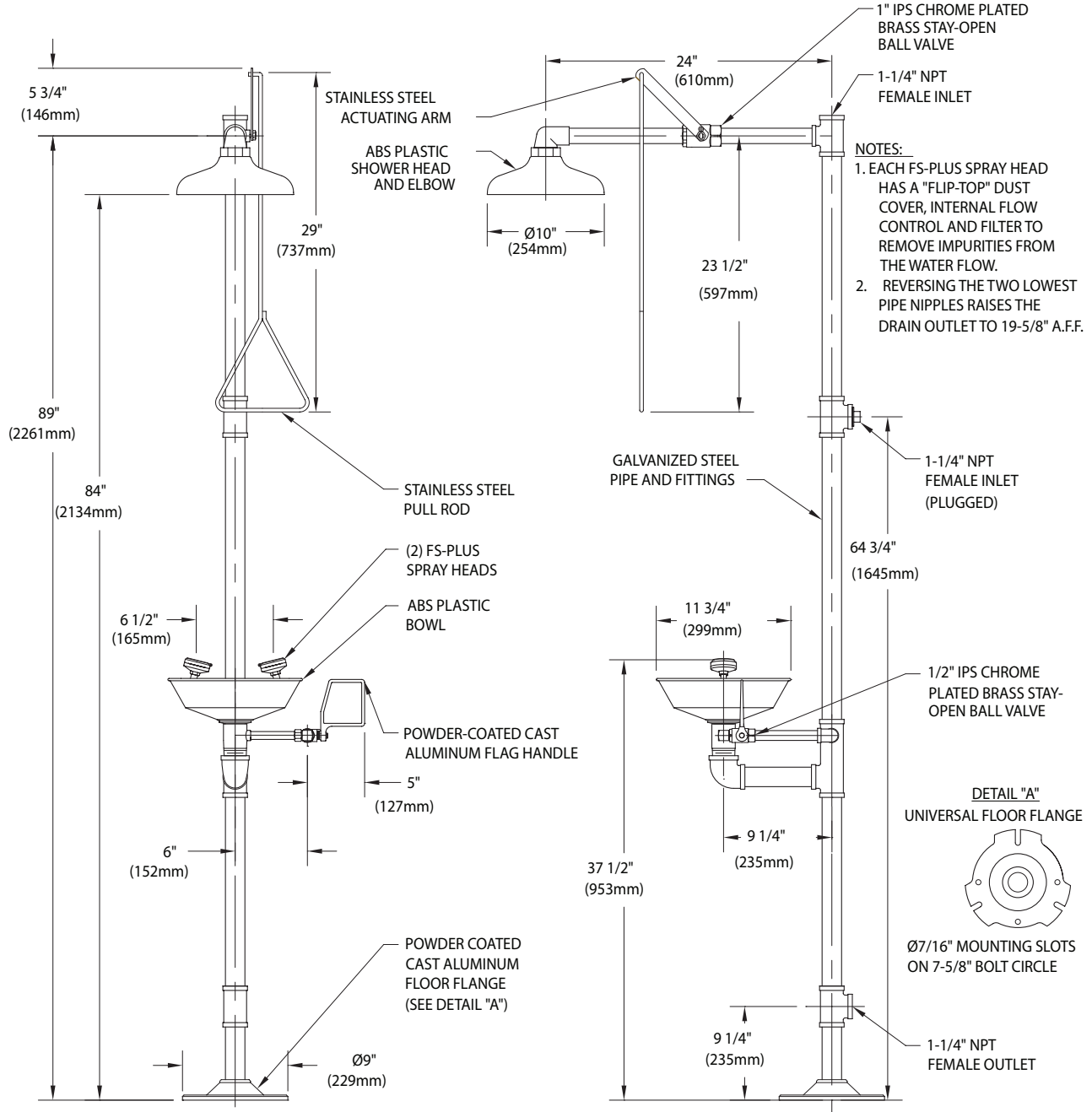
Quality Assurance: Valve and spray head assemblies are factory assembled and water tested prior to shipment.

Available Options

- GC** Powder coated finish on galvanized Pipe and Fittings:. Available colors include orange, yellow, red and green.
- FC20** Regulates shower flow rate to 20 GPM.
- GRN** Green ABS plastic shower head and bowl.
- YEL** Yellow ABS plastic shower head and bowl.
- SSH** Stainless steel shower head.
- AP275-100 Electric Light and Alarm Horn**
Light and alarm horn summon assistance when eye/face wash or shower is activated.
- AP250-015 Modesty Curtain**
Modesty curtain for mounting on safety station.
- TMV** AP3800 thermostatic mixing valve precisely blends hot and cold water to deliver warm (tepid) water as required by ANSI Z358.1-2014.



SS950P Safety Station with Eye/Face Wash, Plastic Bowl



THIS SPACE FOR ARCHITECT/ENGINEER APPROVAL

Due to continuing product improvement, the information contained in this document is subject to change without notice. All dimensions are $\pm 1/4"$ (6mm). rev. 0615

Sign Included



WaterSaver
701 W Erie St
Chicago, IL 60654

312 666 5500 TELEPHONE
312 666 5501 FACSIMILE
wsflab.com

Listed 8116. Units have been tested to and comply with ANSI Z358.1-2014 and the Uniform Plumbing Code.



ETL Listed 101496. Units have been tested to and comply with ANSI Z358.1-2014.

