

### VRSSBF909 Vandal-Resistant Safety Station with WideArea™ Eye/Face Wash

**Application:** Combination WideArea™ eye/face wash and shower safety station with vandal-resistant construction. Ideal for use in schools and other areas where equipment may be subject to abuse.

**ADA Compliance:** Unit complies with ADA requirements for accessibility by handicapped persons (maximum height and reach, minimum knee clearance and distance from obstructions).

**Shower Head:** 10" diameter stainless steel with 20 GPM flow control.

**Shower Valve:** 1" IPS chrome plated brass valve with stainless steel actuating arm and 29" stainless steel pull rod.

**Spray Head Assembly:** Each vandal-resistant GS-Plus™ spray head has a "flip-top" dust cover, internal flow control and filter to remove impurities from the water flow.

**Eye/Face Wash Bowl:** 11-1/8" stainless steel.

**Eye/Face Wash Valve:** 1/2" IPS chrome plated brass stay-open ball valve with flag handle.

**Pipe and Fittings:** Schedule 40 galvanized steel. Furnished with orange polyethylene covers on piping for high visibility and corrosion resistance.

**Supply:** 1-1/4" NPT female top and side inlet.

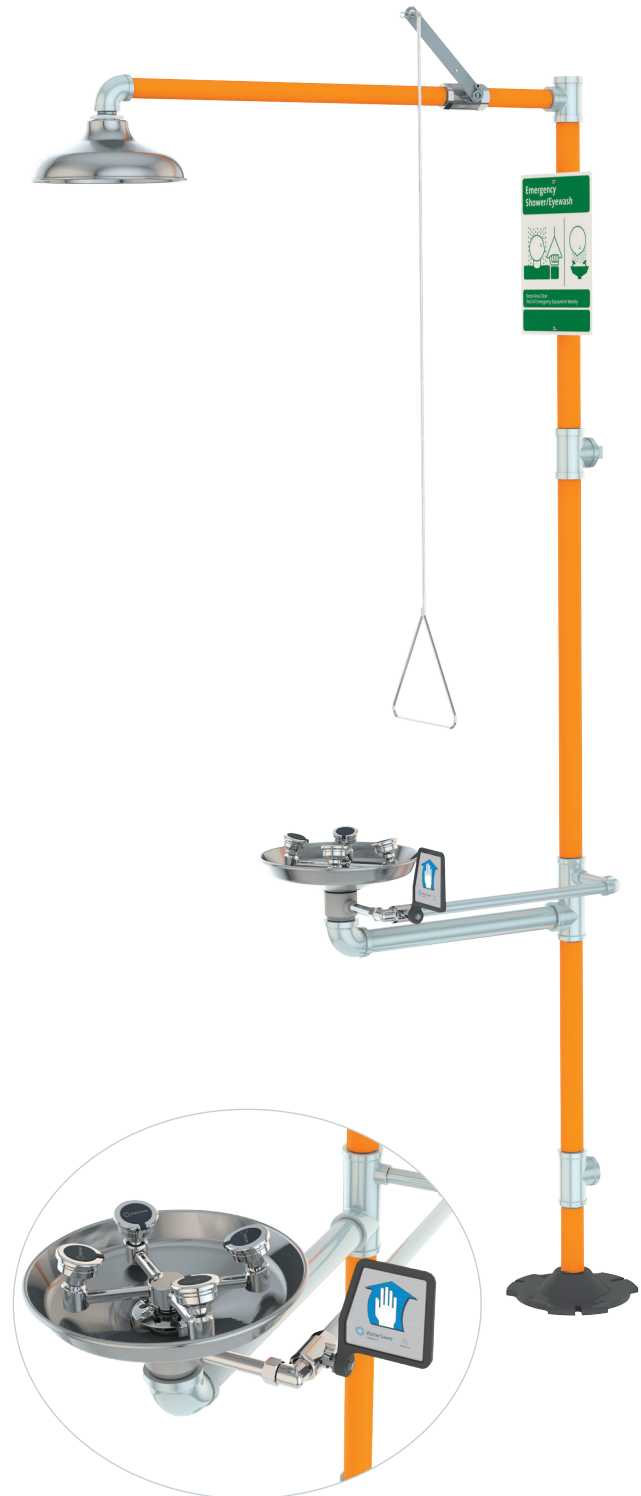
**Waste:** 1-1/4" NPT female outlet.

**Sign:** ANSI-compliant identification sign.

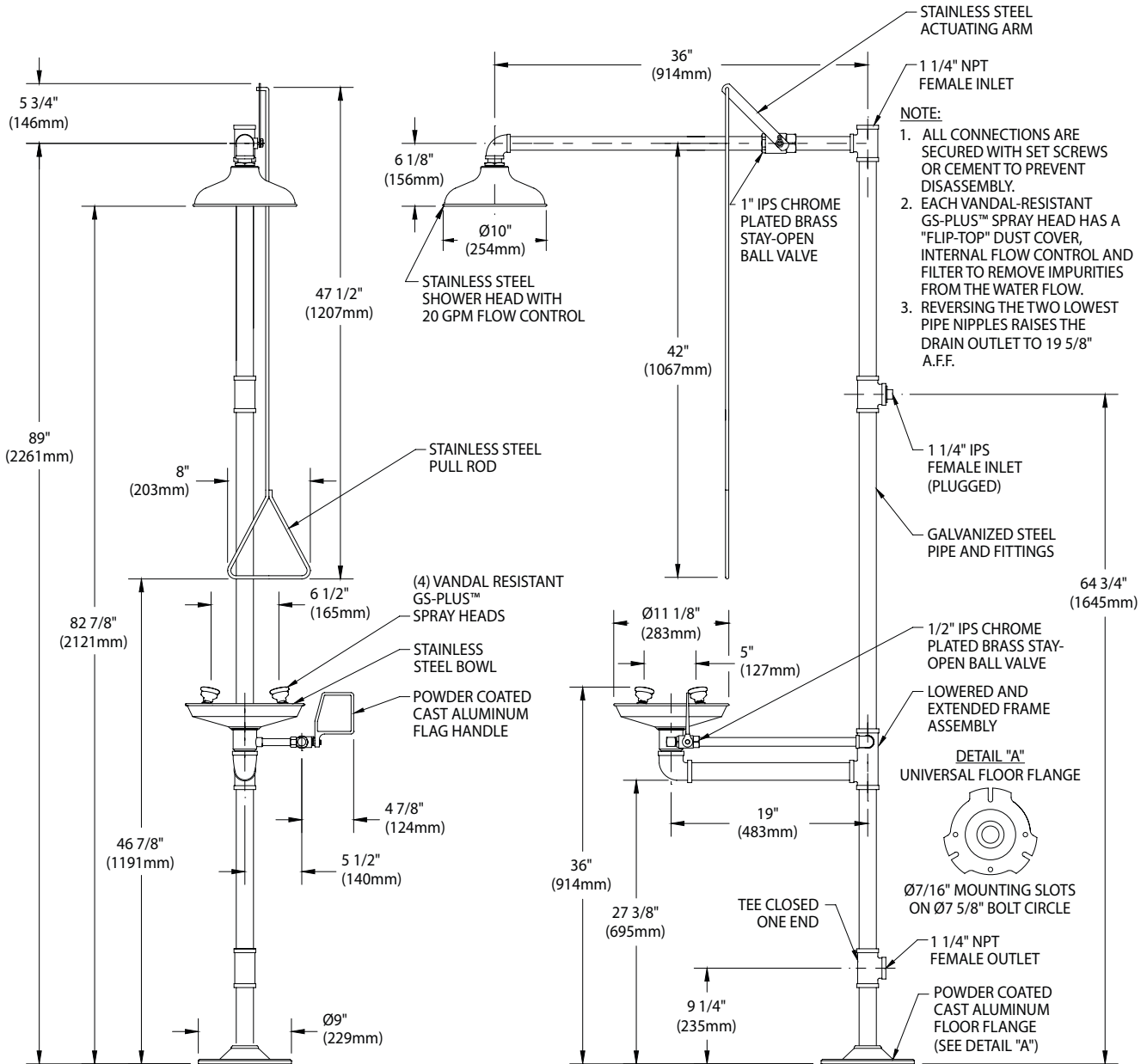
**Quality Assurance:** Valve, bowl and spray head assemblies are factory assembled and water tested prior to shipment.

#### Available Options

- APBF250-015** Modesty curtain for mounting on safety station.
- AP275-200** Electric flashing light and alarm horn unit for mounting on wall or vertical pipe. Light illuminates and horn sounds when eye/face wash or shower is activated. Furnished complete with flow switch and mounting hardware.
- AP3800** Thermostatic mixing valve precisely blends hot and cold water to deliver warm (tepid) water as required by ANSI Z358.1-2014. Refer to "Tempering Valves" section for complete technical and product selection information.



### VRSSBF909 Vandal-Resistant Safety Station with WideArea™ Eye/Face Wash



Rev. 041219

THIS SPACE FOR ARCHITECT/ENGINEER APPROVAL

Sign Included



Due to continuing product improvement, the information contained in this document is subject to change without notice. All dimensions are  $\pm 1/4"$  (6mm). rev. 041219

WaterSaver Faucet Co. 312 666 5500 TELEPHONE  
 701 W Erie St 312 666 5501 FACSIMILE  
 Chicago, IL 60654 wsflab.com

Listed 8116. Units have been tested to and comply with ANSI Z358.1-2014 and the Uniform Plumbing Code.

