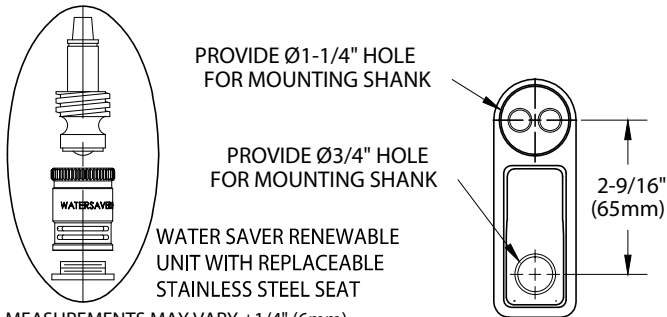
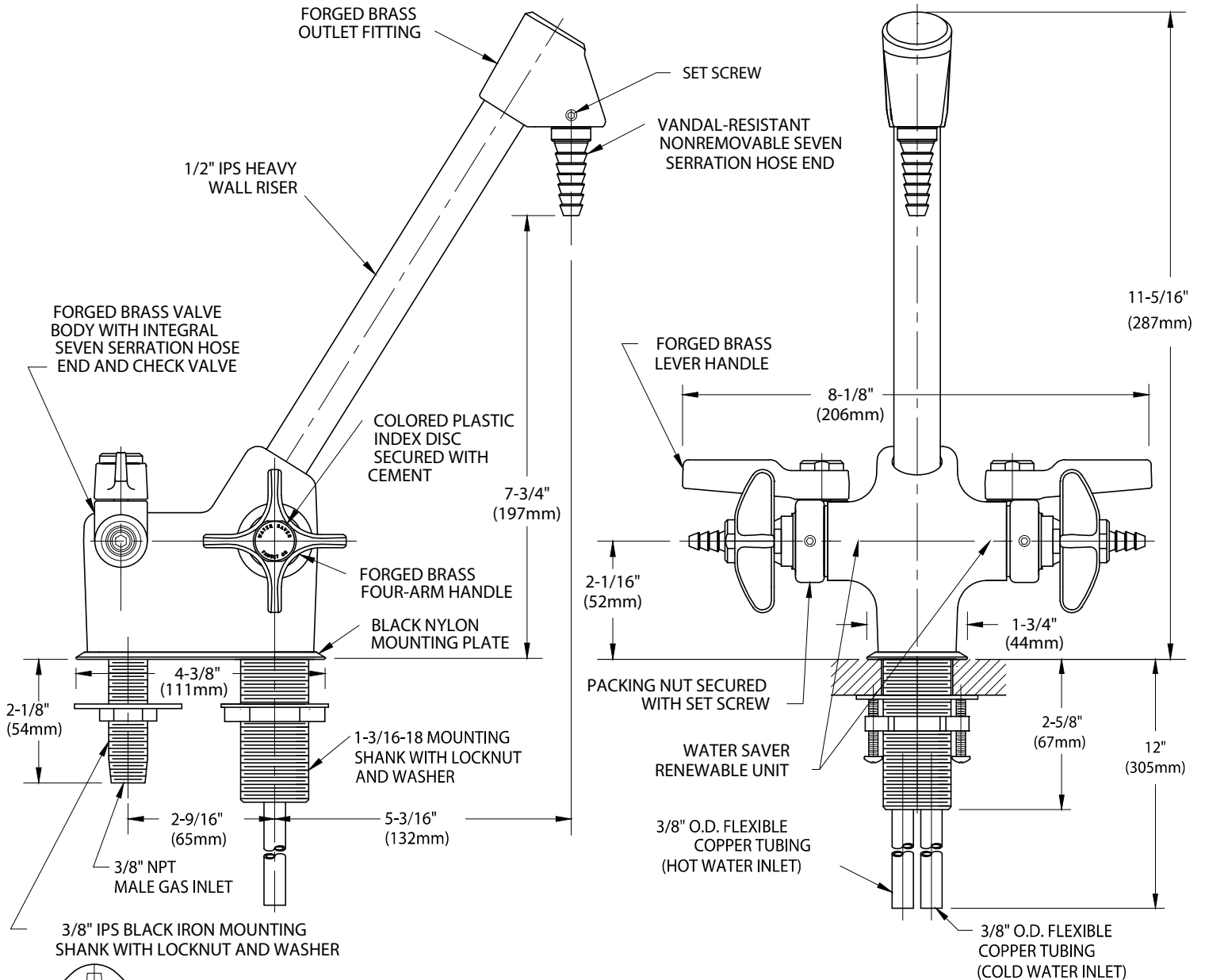


VR5800WSA VANDAL-RESISTANT COMBINATION FIXTURE, HOT/COLD WATER AND GAS



MEASUREMENTS MAY VARY ±1/4" (6mm).



NOTES:

1. WATER VALVE IS CERTIFIED BY CSA INTERNATIONAL TO COMPLY WITH ASME A112.18.1M AND CSA B125.1.
2. LABORATORY BALL VALVES ARE CERTIFIED BY CSA INTERNATIONAL TO COMPLY WITH ANSI Z21.15 & CGA 9.1.
3. ALL THREADED CONNECTIONS ARE SECURED WITH SET SCREWS OR CEMENT.
4. LABORATORY BALL VALVES HAVE INTEGRAL CHECK VALVES TO PREVENT BACKFLOW.
5. FIXTURE IS FULLY ASSEMBLED AND FACTORY TESTED PRIOR TO SHIPMENT.
6. FIXTURE HAS A POLISHED CHROME PLATED FINISH.