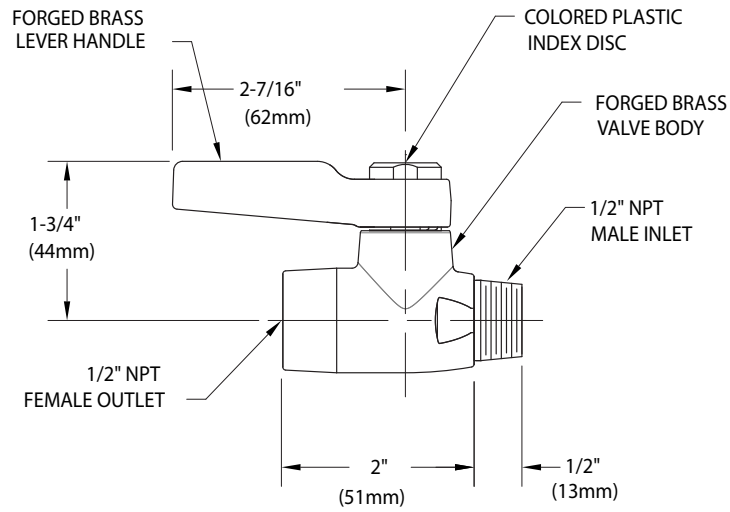


○ L4301 High Flow Laboratory Water Valve, Straight Pattern



NOTES:

1. VALVE IS FULL PORT BALL VALVE WITH CHROME PLATED BRASS BALL AND MOLDED PTFE SEALS.
2. VALVE IS FULLY ASSEMBLED AND FACTORY TESTED PRIOR TO SHIPMENT.
3. VALVE HAS A POLISHED CHROME PLATED FINISH.

Measurements may vary $\pm 1/4$ ".