

- BT5170F-226WSA** Fine Control Needle Valve, Wall/Panel Mounted
- BT5270F-226WSA** Fine Control Needle Valve, Wall/Panel Mounted, Angle Outlet



BT5170F-226WSA



BT5270F-226WSA

Application: Precise flow regulation of laboratory gases. Ideal for special gases such as nitrogen, oxygen, helium and hydrogen. Valve is specially cleaned, lubricated and packaged for use with high purity gases.

Mounting: Flanged inlet with locator pins.

Valve Body: Angle pattern forged brass.

Headwork: Replaceable self-centering tapered stainless steel needle and replaceable stainless steel seat. *Valve is capable of delivering one bubble of nitrogen gas at a time.*

Handle: Molded nylon hooded style handle with index disc. Handle and index are color coded and marked per EN 13792.

Inlet: Furnished with G1/2 mounting shank, locknut and washer. G1/2 male inlet.

Outlet: G3/8 female outlet. Furnished with removable straight serrated hose end, quick connect fitting or compression fitting, as ordered (see below).

Quality Assurance: Fitting is fully assembled and factory tested prior to shipment. 25 bar (375 PSI) nitrogen test pressure and 17 bar (250 PSI) maximum working pressure.

Ordering Information

Outlet Fitting Options	BT5170F	BT5270F
Serrated hose end	<input type="checkbox"/> BT5170F-226WSA	<input type="checkbox"/> BT5270F-226WSA
G3/8 quick connect fitting	<input type="checkbox"/> BT5173F-226WSA	<input type="checkbox"/> BT5273F-226WSA
10mm OD compression fitting	<input type="checkbox"/> BT5174F-226WSA	<input type="checkbox"/> BT5274F-226WSA

Product Finish

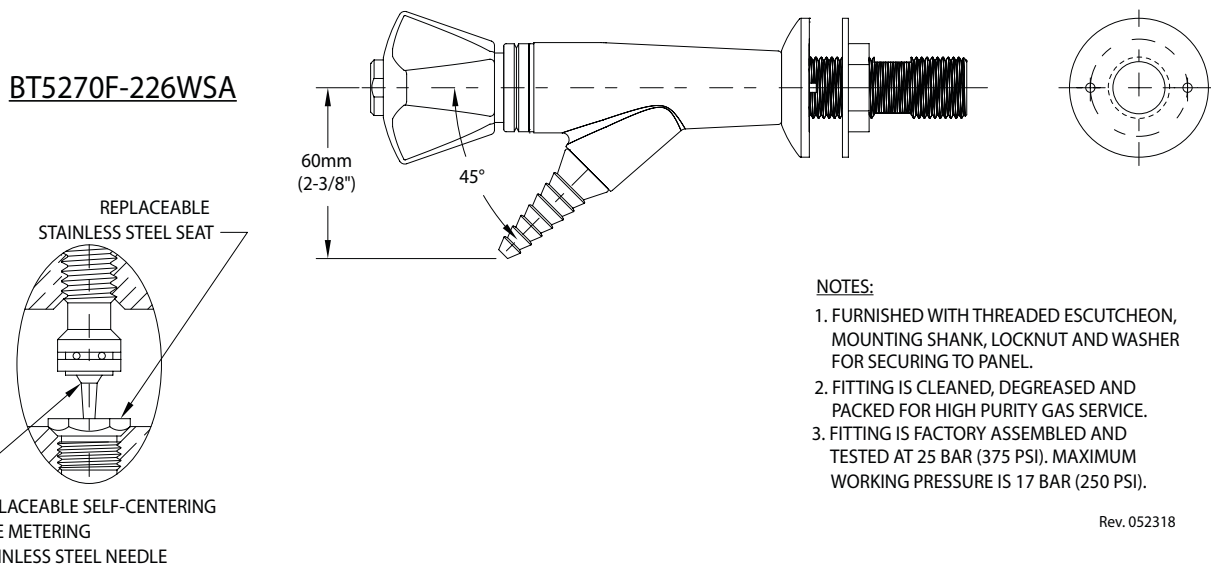
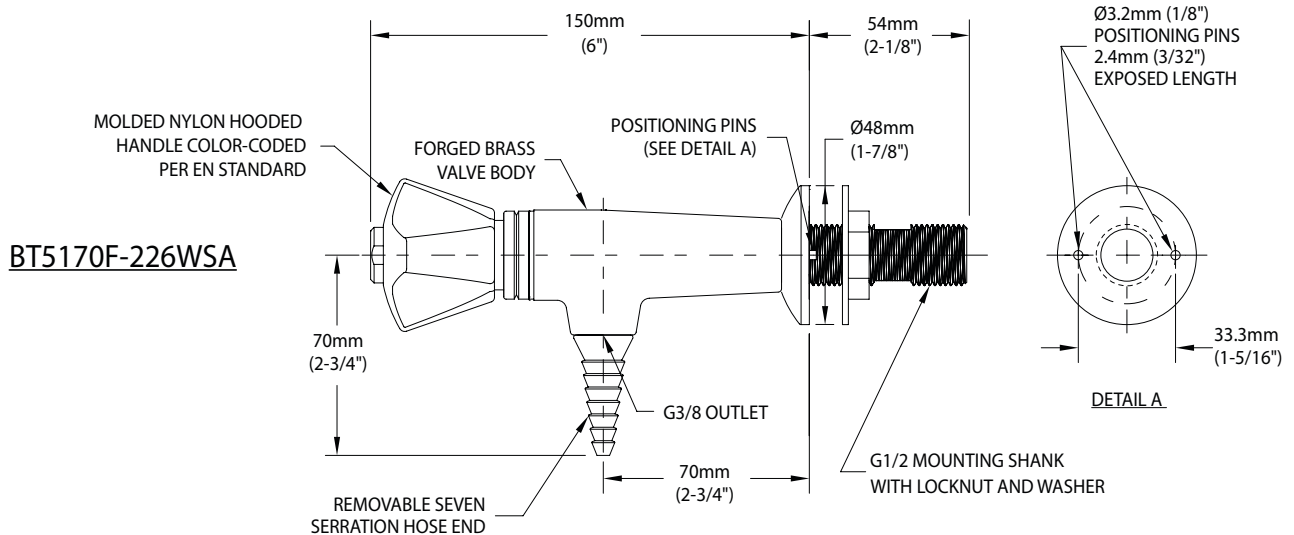
<input type="checkbox"/> WHT	Gloss white powder coated finish	<input type="checkbox"/> PCL	Polished chrome plated finish with clear epoxy coating
<input type="checkbox"/> GRY	Gloss light gray powder coated finish	<input type="checkbox"/> SCC	Satin chrome plated finish with clear epoxy coating
<input type="checkbox"/> GRD	Gloss dark gray powder coated finish	<input type="checkbox"/> SNC	Satin nickel plated finish with clear epoxy coating
<input type="checkbox"/> STM	Starburst metallic powder coated finish		

Note: Refer to "Product Finishes" catalog for complete information on finishes.

Media

BT5170F-226WSA Fine Control Needle Valve, Wall/Panel Mounted

BT5270F-226WSA Fine Control Needle Valve, Wall/Panel Mounted, Angle Outlet



THIS SPACE FOR ARCHITECT/ENGINEER APPROVAL

Due to continuing product improvement, the information contained in this document is subject to change without notice. All dimensions are $\pm 6\text{mm}$ (1/4"). Rev. 052218