

**BT4160-231WSA** Lift/Turn Gas Valve, Bench Mounted



**Application:** Flow control of burning or combustible gases such as natural gas, propane and bottled gas. Valve is certified for natural gas service by CSA International.

**Mounting:** Turret base for bench mounting with locator pins.

**Valve Body:** Straight pattern forged brass.

**Headwork:** Quarter-turn ball valve construction with stainless steel valve stem, chrome plated brass ball and molded PTFE seals. Valve locks in closed position.

**Handle:** Spring-loaded molded nylon handle with brass insert and index disc. Handle locks in closed position. Handle must be pulled up to unlock and turned to open valve. Handle alignment indicates if valve is open or closed. Handle and index are color coded and marked per EN 13792.

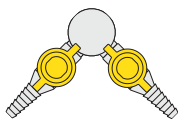
**Inlet:** Furnished with G1/2 mounting shank, locknut and washer. G1/2 male inlet.

**Outlet:** BT4160 has integral (nonremovable) serrated hose end. BT4163H has quick connect fitting with serrated hose end.

**Quality Assurance:** Fitting is fully assembled and factory tested prior to shipment. 10 bar (150 PSI) test pressure and 7 bar (100 PSI) maximum working pressure.



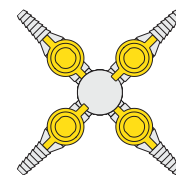
Single Valve  
BT4160-231WSA



Two Valves at 90°  
BT4160-232AWSA



Two Valves at 180°  
BT4160-232SWSA



Four Valves  
BT4160-234WSA

Ordering Information

Valve Configurations

Outlet Fitting Options

Serrated hose end

BT4160-231WSA

BT4160-232AWSA

BT4160-232SWSA

BT4160-234WSA

Quick connect fitting with hose end

BT4163H-231WSA

BT4163H-232AWSA

BT4163H-232SWSA

BT4163H-234WSA

**Note:** If internal check valve to prevent backflow is required, add suffix "CV" to model number.

Product Finish

WHT Gloss white powder coated finish

PCL Polished chrome plated finish with clear epoxy coating

GRY Gloss light gray powder coated finish

SCC Satin chrome plated finish with clear epoxy coating

GRD Gloss dark gray powder coated finish

SNC Satin nickel plated finish with clear epoxy coating

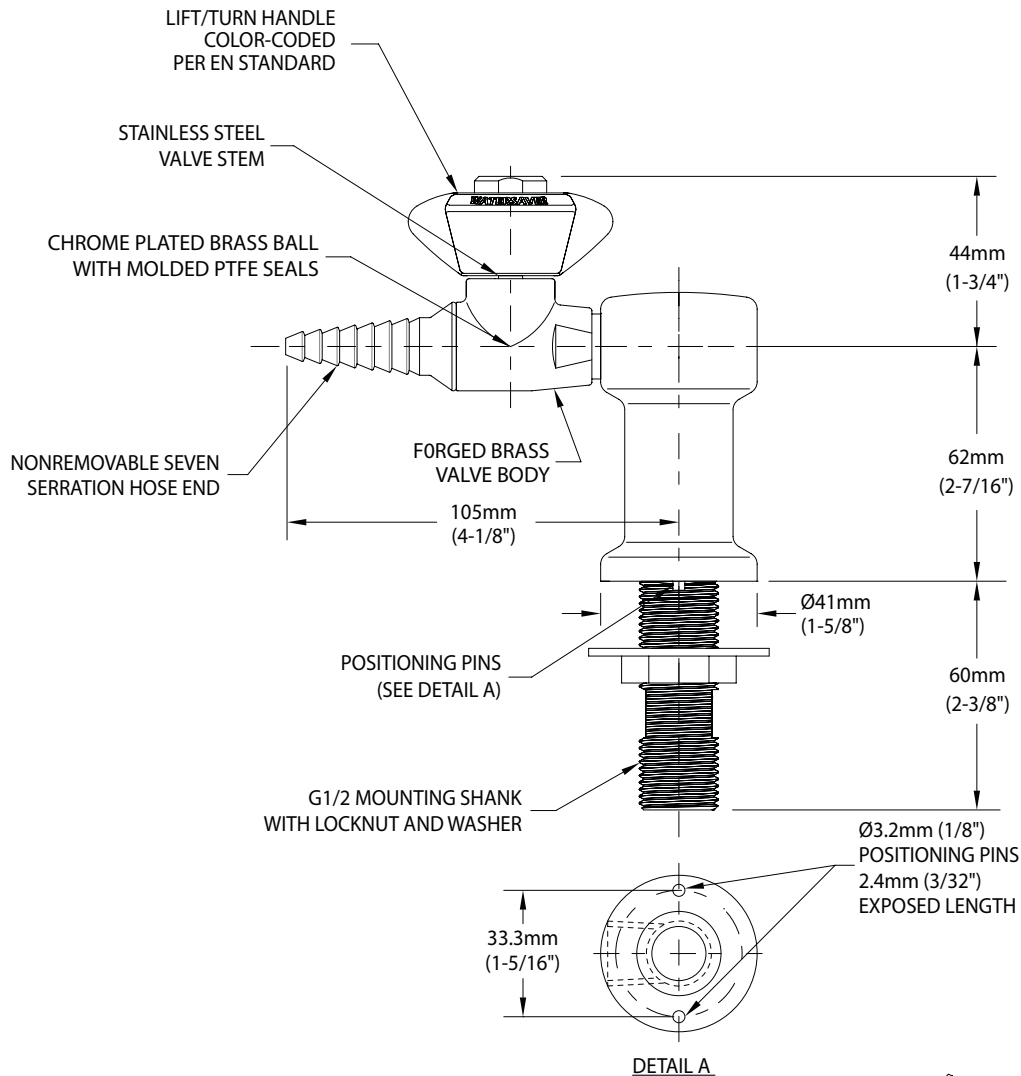
STM Starburst metallic powder coated finish

**Note:** Refer to "Product Finishes" catalog for complete information on finishes.

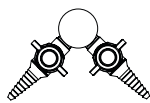
Media

\_\_\_\_\_

BT4160-231WSA Lift/Turn Gas Valve, Bench Mounted



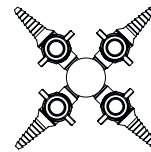
SINGLE VALVE:  
BT4160-231WSA



TWO VALVES AT 90°:  
BT4160-232AWSA



TWO VALVES AT 180°:  
BT4160-232SWSA



FOUR VALVES:  
BT4160-234WSA

NOTES:

1. FITTING IS FACTORY ASSEMBLED AND TESTED AT 10 BAR (150 PSI). MAXIMUM WORKING PRESSURE IS 7 BAR (100 PSI).

Rev. 052318

THIS SPACE FOR ARCHITECT/ENGINEER APPROVAL

Due to continuing product improvement, the information contained in this document is subject to change without notice. All dimensions are  $\pm 6\text{mm}$  (1/4"). Rev. 071718