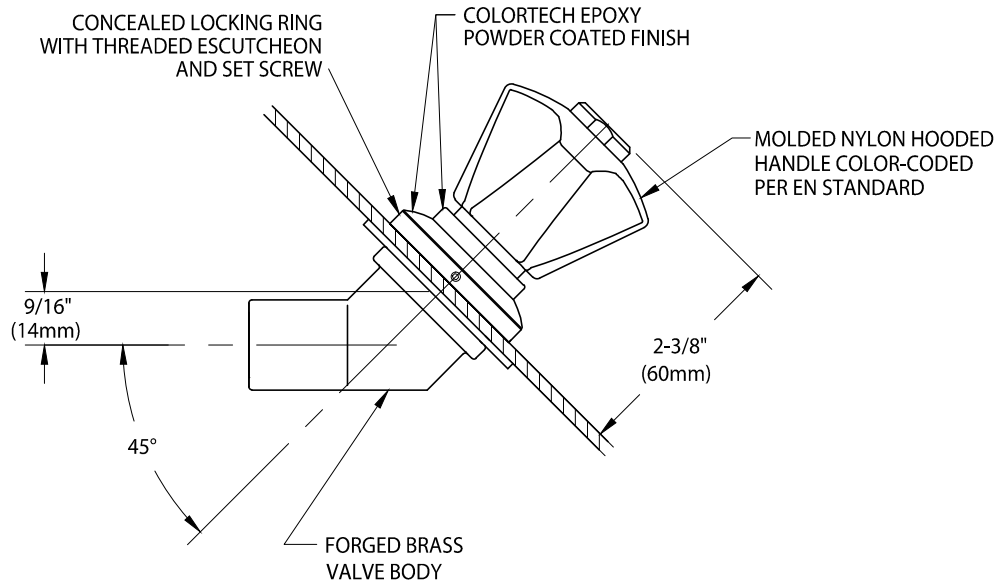
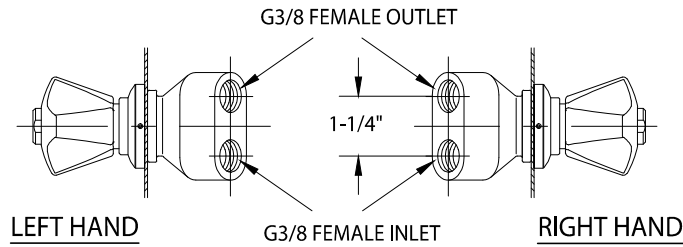


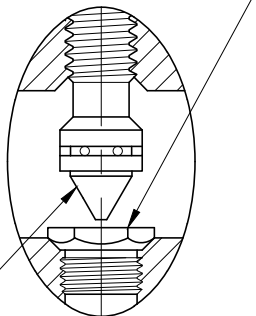


BT739RN

REMOTE CONTROL NEEDLE VALVE, PANEL MOUNTED, 45° ANGLE FUME HOOD, G3/8 INLET/OUTLET



REPLACEABLE STAINLESS STEEL SEAT



STAINLESS STEEL RENEWABLE FLOATING CONE

MEASUREMENTS MAY VARY ±1/4" (6mm).

NOTES:

1. VALVE IS FACTORY ASSEMBLED AND TESTED AT 250 PSI (17 BAR). MAXIMUM WORKING PRESSURE IS 150 PSI (10 BAR).
2. PROVIDE Ø1-1/4" MOUNTING HOLE FOR VALVE. MAXIMUM PANEL THICKNESS IS 1/8".