

- BTVR4160-141WSA** Double Lift/Turn Gas Valve, Wall/Panel Mounted, Vandal-Resistant
- BTVR4163H-141WSA** Double Lift/Turn Gas Valve, Wall/Panel Mounted, Vandal-Resistant



BTVR4160-141WSA



BTVR4163H-141WSA

**Application:** Flow control of burning or combustible gases such as natural gas, propane and bottled gas. Valve is certified for natural gas service by CSA International. Fitting has heavy duty construction to withstand bending, breakage and disassembly. All threaded connections are secured with cement.

**Mounting:** Wye fitting with two outlets and locator pins.

**Valve Bodies:** Straight pattern forged brass.

**Headworks:** Quarter-turn ball valve construction with stainless steel valve stems, chrome plated brass balls and molded PTFE seals. Valves lock in closed position. Valves have integral check valves to prevent backflow.

**Handles:** Spring-loaded molded nylon handles with brass inserts and index discs. Handles lock in closed position. Handles must be pulled up to unlock and turned to open valves. Handle alignment indicates if valves are open or closed. Handles and indexes are color coded and marked per EN 13792. Index discs are cemented in place.

**Inlet:** Furnished with G1/2 mounting shank, locknut and washer. G1/2 male inlet.

**Outlets:** BT4160 is furnished with integral (nonremovable) serrated hose end. BT4163H is furnished with integral quick connect fitting with hose end. Quick connect has internal valve to shut off gas flow when hose end is removed.

**Quality Assurance:** Fitting is fully assembled and factory tested prior to shipment. 10 bar (150 PSI) test pressure and 7 bar (100 PSI) maximum working pressure.

### Ordering Information

#### Product Finish

<input type="checkbox"/> WHT	Gloss white powder coated finish	<input type="checkbox"/> PCL	Polished chrome plated finish with clear epoxy coating
<input type="checkbox"/> GRY	Gloss light gray powder coated finish	<input type="checkbox"/> SCC	Satin chrome plated finish with clear epoxy coating
<input type="checkbox"/> GRD	Gloss dark gray powder coated finish	<input type="checkbox"/> SNC	Satin nickel plated finish with clear epoxy coating
<input type="checkbox"/> STM	Starburst metallic powder coated finish		

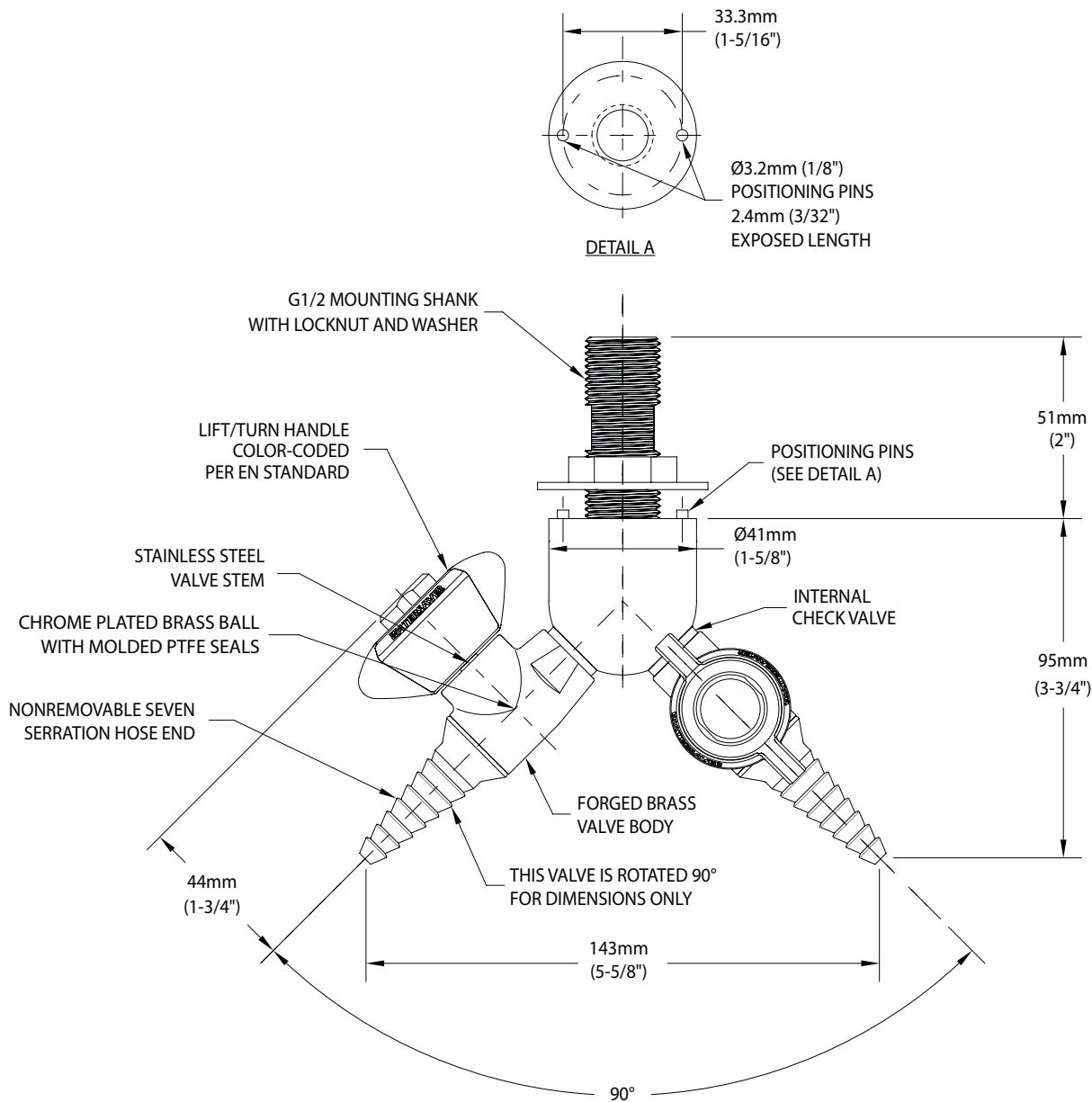
**Note:** Refer to "Product Finishes" catalog for complete information on finishes.

#### Media

\_\_\_\_\_

**BTVR4160-141WSA** Double Lift/Turn Gas Valve, Wall/Panel Mounted, Vandal-Resistant

**BTVR4163H-141WSA** Double Lift/Turn Gas Valve, Wall/Panel Mounted, Vandal-Resistant



**NOTES:**

1. FITTING IS FACTORY ASSEMBLED AND TESTED AT 10 BAR (150 PSI). MAXIMUM WORKING PRESSURE IS 7 BAR (100 PSI).
2. ALL THREADED CONNECTIONS ARE SECURED WITH CEMENT.

Rev. 122818

THIS SPACE FOR ARCHITECT/ENGINEER APPROVAL

Due to continuing product improvement, the information contained in this document is subject to change without notice. All dimensions are  $\pm 6\text{mm}$  (1/4"). Rev. 080618