

- BTVR4160-231WSA** Lift/Turn Gas Valve, Bench Mounted, Vandal-Resistant
- BTVR4163H-231WSA** Lift/Turn Gas Valve, Bench Mounted, Vandal-Resistant



BTVR4160-231WSA



BTVR4163H-231WSA

**Application:** Flow control of burning or combustible gases such as natural gas, propane and bottled gas. Valve is certified for natural gas service by CSA International. Fitting has heavy duty construction to withstand bending, breakage and disassembly. All threaded connections are secured with cement.

**Mounting:** Turret base for bench mounting with locator pins.

**Valve Body:** Straight pattern forged brass.

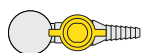
**Headwork:** Quarter-turn ball valve construction with stainless steel valve stem, chrome plated brass ball and molded PTFE seals. Valve locks in closed position. Valve has integral check valve to prevent backflow.

**Handle:** Spring-loaded molded nylon handle with brass insert and index disc. Handle locks in closed position. Handle must be pulled up to unlock and turned to open valve. Handle alignment indicates if valve is open or closed. Handle and index are color coded and marked per EN 13792. Index disc is cemented in place.

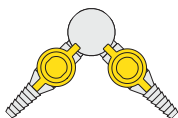
**Inlet:** Furnished with G1/2 mounting shank, locknut and washer. G1/2 male inlet.

**Outlet:** BT4160 is furnished with integral (nonremovable) serrated hose end. BT4163H is furnished with integral quick connect fitting with hose end. Quick connect has internal valve to shut off gas flow when hose end is removed.

**Quality Assurance:** Fitting is fully assembled and factory tested prior to shipment. 10 bar (150 PSI) test pressure and 7 bar (100 PSI) maximum working pressure.



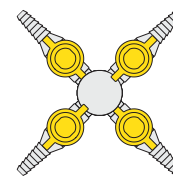
Single Valve  
BTVR4160-231WSA  
BTVR4163H-231WSA



Two Valves at 90°  
BTVR4160-232AWSA  
BTVR4163H-232AWSA



Two Valves at 180°  
BTVR4160-232SWSA  
BTVR4163H-232SWSA



Four Valves  
BTVR4160-234WSA  
BTVR4163H-234WSA

### Ordering Information

#### Product Finish

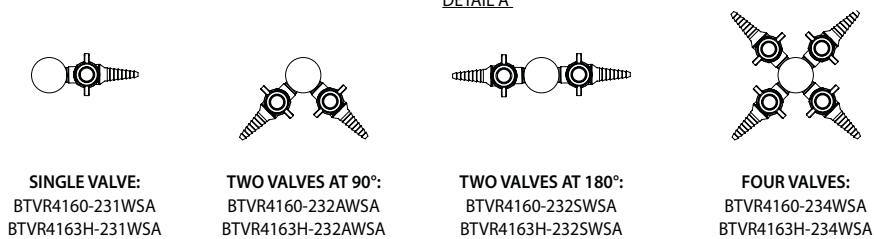
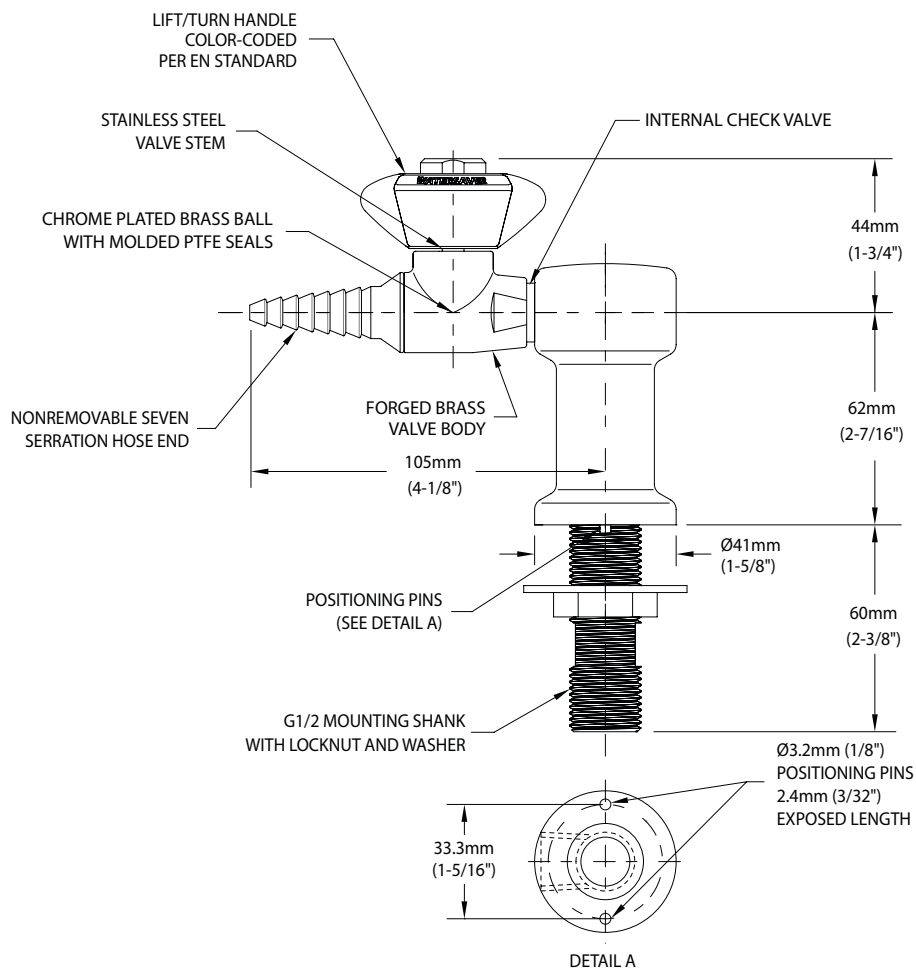
<input type="checkbox"/> WHT	Gloss white powder coated finish	<input type="checkbox"/> PCL	Polished chrome plated finish with clear epoxy coating
<input type="checkbox"/> GRY	Gloss light gray powder coated finish	<input type="checkbox"/> SCC	Satin chrome plated finish with clear epoxy coating
<input type="checkbox"/> GRD	Gloss dark gray powder coated finish	<input type="checkbox"/> SNC	Satin nickel plated finish with clear epoxy coating
<input type="checkbox"/> STM	Starburst metallic powder coated finish		

**Note:** Refer to "Product Finishes" catalog for complete information on finishes.

#### Media

\_\_\_\_\_

- BTVR4160-231WSA** Lift/Turn Gas Valve, Bench Mounted, Vandal-Resistant
- BTVR4163H-231WSA** Lift/Turn Gas Valve, Bench Mounted, Vandal-Resistant



**NOTES:**  
 1. FITTING IS FACTORY ASSEMBLED AND TESTED AT 10 BAR (150 PSI). MAXIMUM WORKING PRESSURE IS 7 BAR (100 PSI).  
 2. ALL THREADED CONNECTIONS ARE SECURED WITH CEMENT.

Rev. 122818

THIS SPACE FOR ARCHITECT/ENGINEER APPROVAL

Due to continuing product improvement, the information contained in this document is subject to change without notice. All dimensions are ± 6mm (1/4"). Rev. 080618